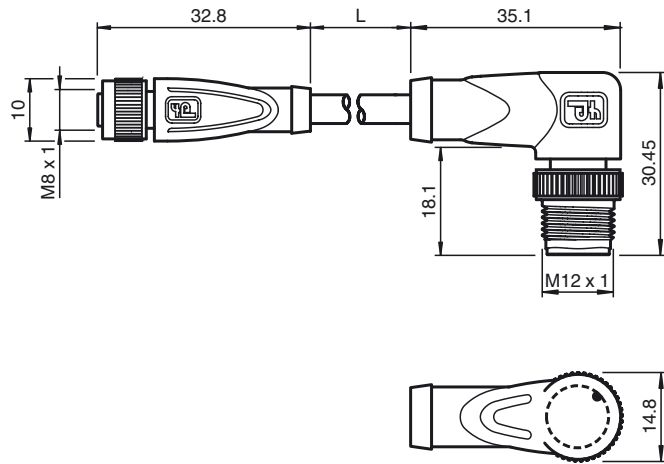




**Dimensions**



**Model Number**

**V3-GM-E2-OR2M-POC-V11-W**

Double-ended cordset, M8 to M12, LED, 3-pin, TPE cable, weld-slag resistant

**Features**

- Built-in LED, as operating and function indicator
- Knurled nut suitable for tool assembly
- Immunity to vibration, with mechanical latching
- Gold plated contacts
- Resistant to welding bead formation
- Suitable for robotic applications / torsion resistant
- Does not give off silicone
- Ozone resistant
- Suitable for 2- and 3-wire technology

**Technical data**

**General specifications**

Number of pins	3
Connection 1	socket
Construction type 1	straight
Threading 1	M8
Connection 2	Male connector
Construction type 2	right angle
Threading 2	M12

**Electrical specifications**

Operating voltage	$U_B$	max. 24 V DC $\pm$ 15%
Operating current	$I_B$	max. 3 A
Volume resistance		< 5 m $\Omega$

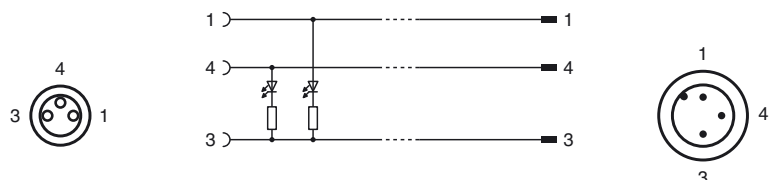
**Ambient conditions**

Ambient temperature	-40 ... 90 °C (-40 ... 194 °F)
cable, flexing:	-15 ... 120 °C (5 ... 248 °F) for 20000 h
	-15 ... 150 °C (5 ... 302 °F) for 3000 h
cable, fixed:	-40 ... 120 °C (-40 ... 248 °F) for 20000 h
	-40 ... 150 °C (-40 ... 302 °F) for 3000 h
Pollution degree	3

**Mechanical specifications**

Contact elements	spring-loaded contact socket
Pin diameter	1 mm
Degree of protection	IP67
Material	
Contacts	CuSn / Au
Contact surface	Au
Body	TPU, transparent
Cable	TPE resistant to welding bead formation
Slotted nut	Diecast zinc
Sleeve connector	Diecast zinc
Core insulation	ETFE
Cable	fine-strand, flexible
Sheath diameter	$\varnothing$ 4.8 mm
Bending radius	> 10 x cable diameter, moving
Color	orange
Number of cores	3
Core cross-section	0.34 mm <sup>2</sup>
Conductor construction	19 x 0.15 mm $\varnothing$
Length	L 2 m
Flammability	
Contact carrier	HB
Housing	V-2

**Electrical connection**



Release date: 2018-03-26 14:55 Date of issue: 2018-03-26 291173\_eng.xml



Cable flame-resistant

**Compliance with standards and directives**

Standard conformity	
Degree of protection	EN 60529:2000
Standards	IEC 61076-2-101:2008; IEC 61076-2-104:2008
Flammability	Grip: UL 94 Lead: IEC 60332-2-2:2004

Release date: 2018-03-26 14:55 Date of issue: 2018-03-26 291173\_eng.xml